



ISOLATION VALVES

For Air Valves and Hydrants



REGULAR TYPE
Lever Ball Valve



REGULAR TYPE
With Key cap



SHALLOW-DEPTH
INSTALLATION TYPE
Full Bore DN75x100 L

MSI-F type



SHALLOW-DEPTH
INSTALLATION TYPE
DN75x100 L

MSI type





Standard Specification

APPLICATION		Isolating pipeline water flow for maintenance and repair of hydrants and air valves		
TYPE	REGULAR	4 sizes : DN75mm, 100mm, 150mm and 200mm for 0.75MPa, 1.00MPa and 1.60MPa		
	MSI-F for Shallow Depth Installation	1 size : DN75mm x 100mm (F-to-F) for 0.75MPa		
	MSI for Shallow Depth Installation	1 size : DN75mm x 100mm (F-to-F) for 0.75MPa		
Operating Pressure		0.75MPa	1.00MPa	1.60MPa
Test Pressure	Seat Leakage Test	0.75MPa	1.00MPa	1.76MPa
	Pressure Test	1.75MPa	2.30MPa	2.40MPa
Opening Direction		Clockwise / Counter Clockwise (Specify at order)		
Coating	Interior	Epoxy Powder Coating		
	Exterior	Epoxy Powder Coating		
Lever Stopper		Mechanical stopper at full open / full close position		

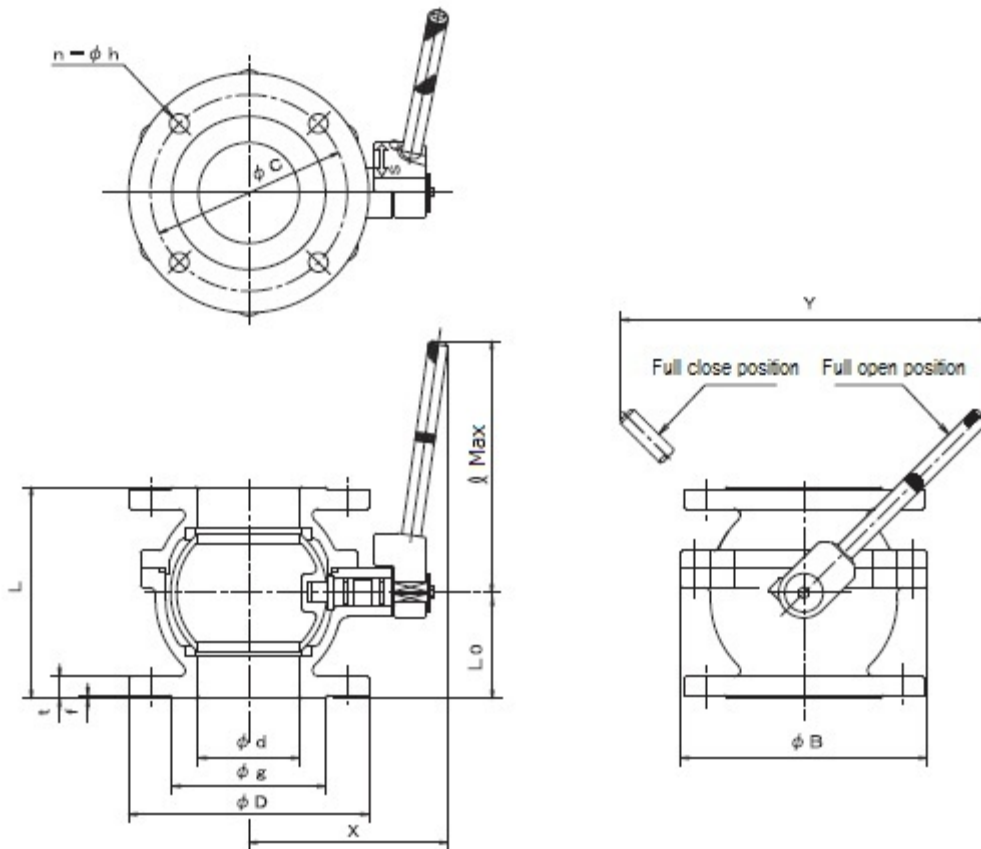
Operation Type

Nominal Size (mm)	Operation Pressure (Mpa)	Face toFace (mm)	Operation Type		
			Lever	Lever with indicator	Keycap
75	0.75	100	✓ (MSI type)	✗ (MSI type)	✓ (MSI type)
	1.00		✗ (MSI-F type)	✓ (MSI-F type)	✗ (MSI-F type)
	0.75	150	✓	✗	✓
	1.00	200	✓	✗	✓
	1.60		✓	✗	✓
100	0.75	210	✓	✗	✓
	1.00		✓	✗	✓
	1.60		✓	✗	✓
150	0.75	300	✓	✗	✓
	1.00		✓	✗	✓
	1.60		✓	✗	✓
200	0.75	400	✗	✗	✓
	1.00		✗	✗	✓
	1.60		✗	✗	✓

-  available
 not available

Dimensions and Materials

Lever model (DN75mm, 100mm and 150mm)



(Unit : mm)

Size (d)	Symbol	L	L ₀	B	X	Y	φ
	Pressure						
75	7.5K	150	67	192	185	370	250
	10K	200	95	202			
	16K						
100	7.5K	210	105	244	200	370	250
	10K						
	16K						
150	7.5K	300	150	344	285	730	500
	10K				325		
	16K						

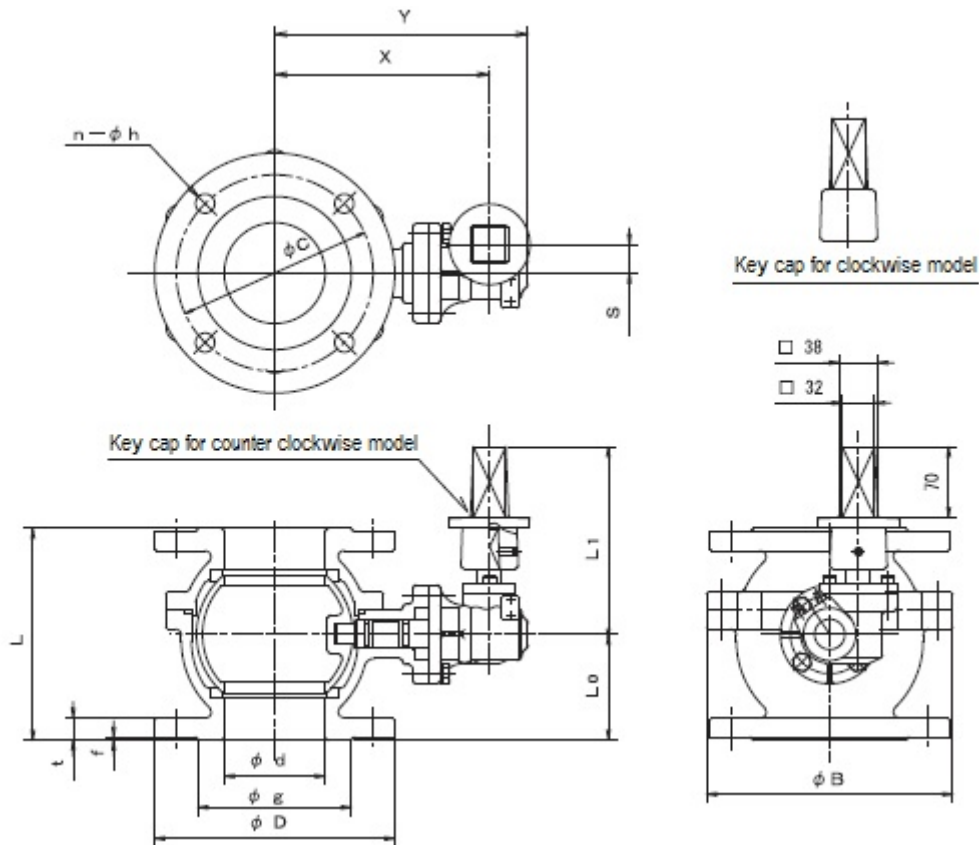
(Unit : mm)

Size (d)	Flange	g	C	D	n	h	f	t
75	7.5K	125	168	211	4	19	3	22
	10K	126	150	185	8	19	2	
	16K	132	160	200	8	23	2	
100	7.5K	152	195	238	4	19	3	22
	10K	151	175	210	8	19	2	
	16K	160	185	225	8	23	2	
150	7.5K	204	247	290	6	19	3	24
	10K	212	240	280	8	23	2	
	16K	230	260	305	12	25	2	
200	7.5K	256	299	342	8	19	3	26
	10K	262	290	330	12	23	2	
	16K	275	305	350	12	25	2	

Material

BODY	FCD450-10
DISC	CAC 406
SEAT on DISC	CR + PTFE
STEM	C3604B

Key cap model (DN75mm, 100mm, 150mm and 200mm)



(Unit : mm)

Size (d)	Symbol Pressure	L	L ₀	B	X	Y	L ₁	S
75	10K	200	95	202				
	16K							
100	7.5K	210	105	244	213	251	186	28.5
	10K							
	16K							
150	7.5K	300	150	344	255	293	205	70
	10K							
	16K							
200	7.5K	400	200	436	300	338	205	70
	10K							
	16K							

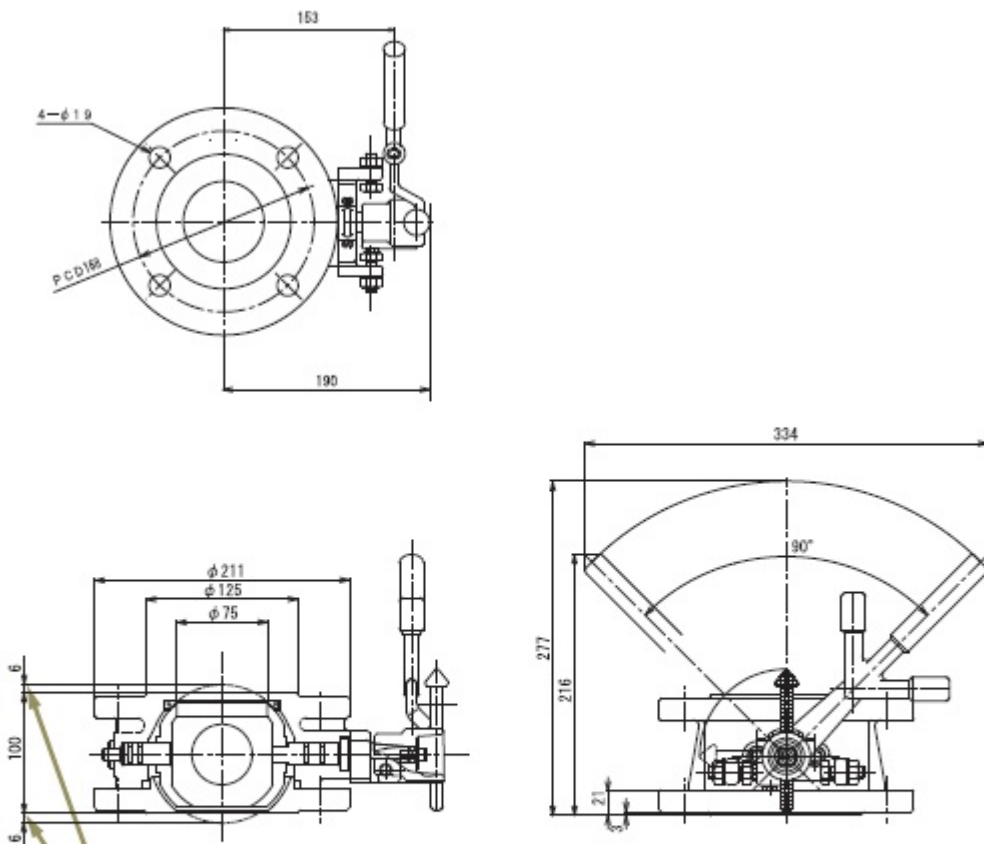
(Unit : mm)

Size (d)	Flange	g	C	D	n	h	f	t
10K	126	150	185	8	19	2		
16K	132	160	200	8	23	2		
100	7.5K	152	195	238	4	19	3	22
	10K	151	175	210	8	19	2	
	16K	160	185	225	8	23	2	
150	7.5K	204	247	290	6	19	3	24
	10K	212	240	280	8	23	2	
	16K	230	260	305	12	25	2	
200	7.5K	256	299	342	8	19	3	26
	10K	262	290	330	12	23	2	
	16K	275	305	350	12	25	2	

Material

BODY	FCD450-10
DISC	CAC 406
SEAT on DISC	CR + PTFE
STEM	C3604B

Shallow Depth Installation Full bore type (DN75mm x 100L)



NOTE
 The part of the valve may move out of the flange level by 6mm max., during operation. Please make sure nothing will interfere with the valve.

Material

BODY	FCD450-10
DISC	CAC 406
SEAT on DISC	CR + PTFE
STEM	SUS403 / C3771

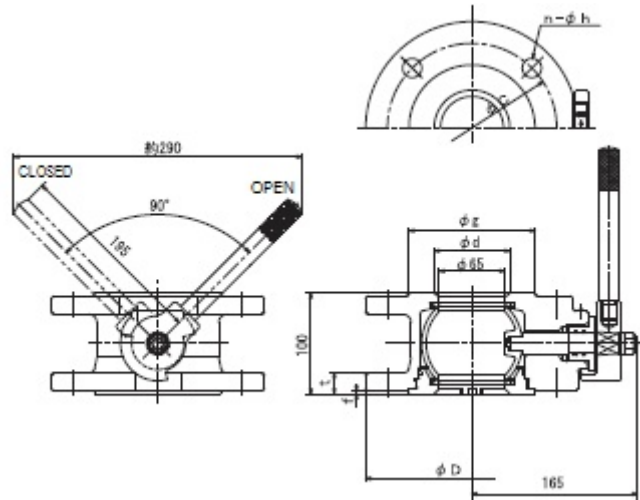


Shallow Depth Installation MSI type (DN75mm x 100L)

Lever Model

Material

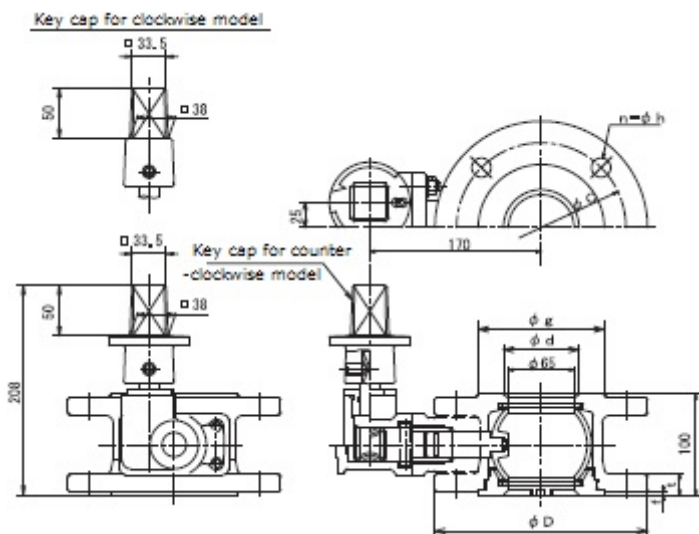
BODY	FCD450-10
DISC	CAC 406
SEAT on DISC	CR + PTFE
STEM	SUS403



Key Cap Model

Material

BODY	FCD450-10
DISC	CAC 406
SEAT on DISC	CR + PTFE
STEM	C6782B



Flange Dimension

(Unit : mm)

Size (d)	P-Symbol	g	C	D	n	h	f	t
75	7.5K	125	168	211	4	hole 19mm	3	21
	10K	126	150	185	8	M16 Threaded hole	2	20

Any information in this document is subject to change without notice.